

Honeywell

LIMIT SWITCH

CATALOGUE LISTING

GLS

CHART NO.

MTG-GL-194

MTG-GL-194

DRAWING NUMBER

ISSUE

REVISIONS

2	9/96
AD18-275	
3	12/96
AD18-293	
4	7/97
CO-000083	
5	8/97
CO-000106	
6	CO/395
1 WEIR 6/98	

RELEASE NUMBER

AO18-185

REPLACES

AO18-185

AO18-185

AO18-185

AO18-185

AO18-185

AO18-185

AO18-185

AO18-185

AO18-185

AO18-185

AO18-185

AO18-185

AO18-185

AO18-185

AO18-185

AO18-185

AO18-185

AO18-185

AO18-185

AO18-185

AO18-185

AO18-185

AO18-185

AO18-185

AO18-185

AO18-185

AO18-185

AO18-185

AO18-185

AO18-185

AO18-185

AO18-185

AO18-185

AO18-185

AO18-185

AO18-185

AO18-185

AO18-185

AO18-185

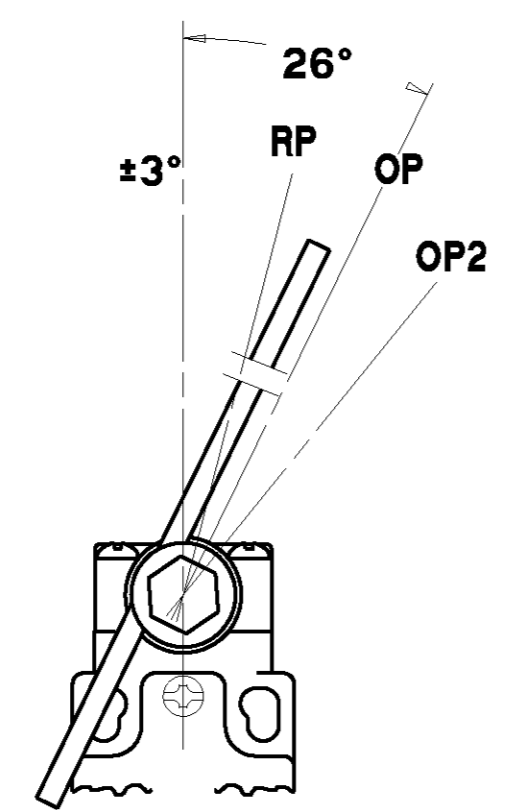
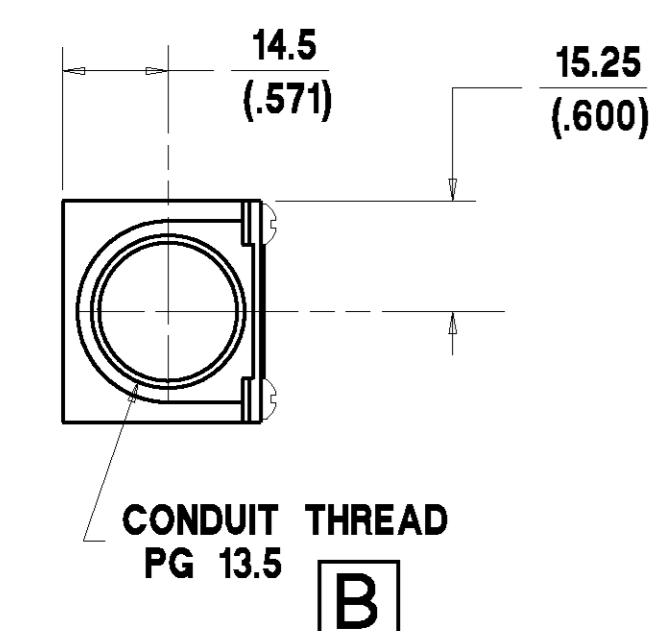
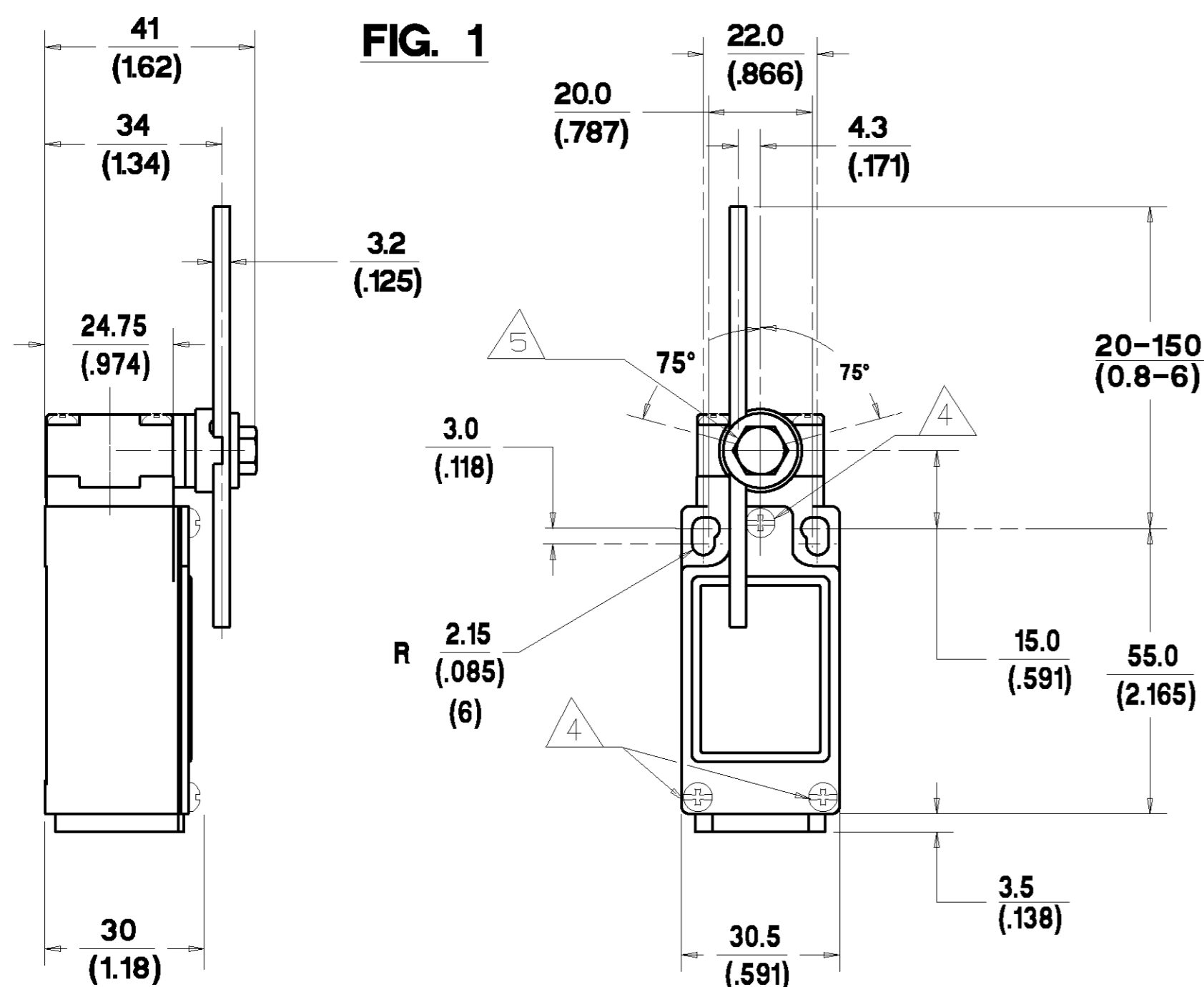
AO18-185

AO18-185

AO18-185

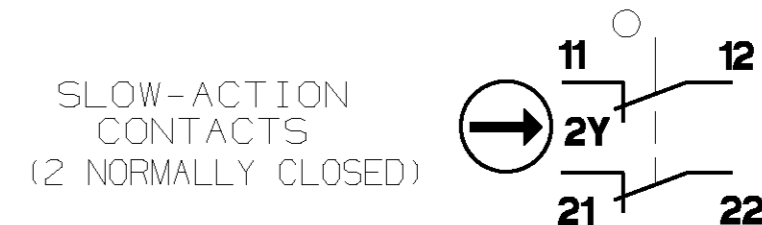
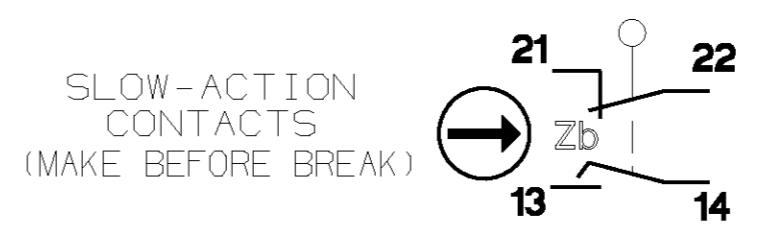
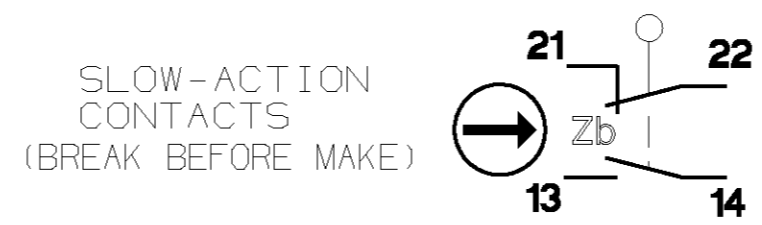
AO18-185

AO18-185

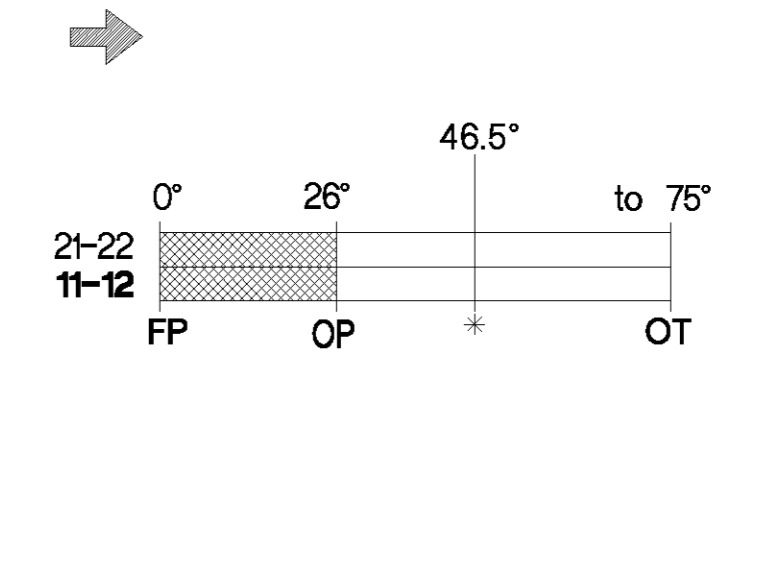
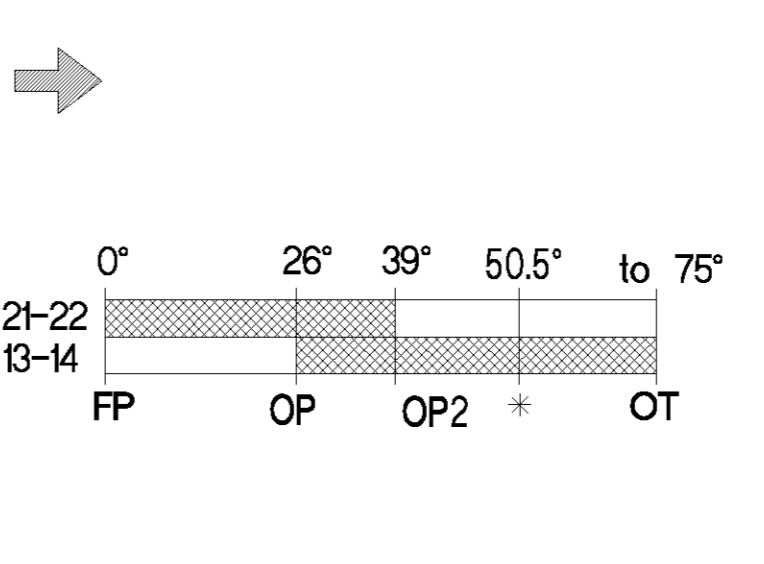
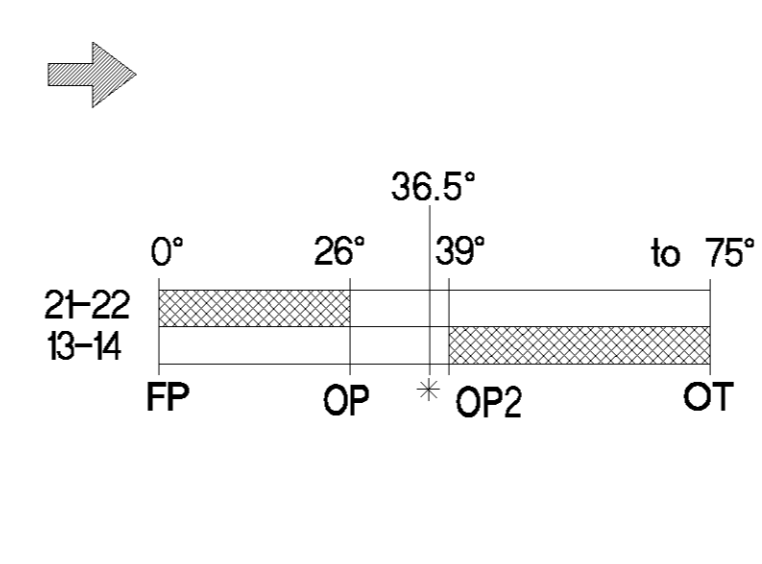
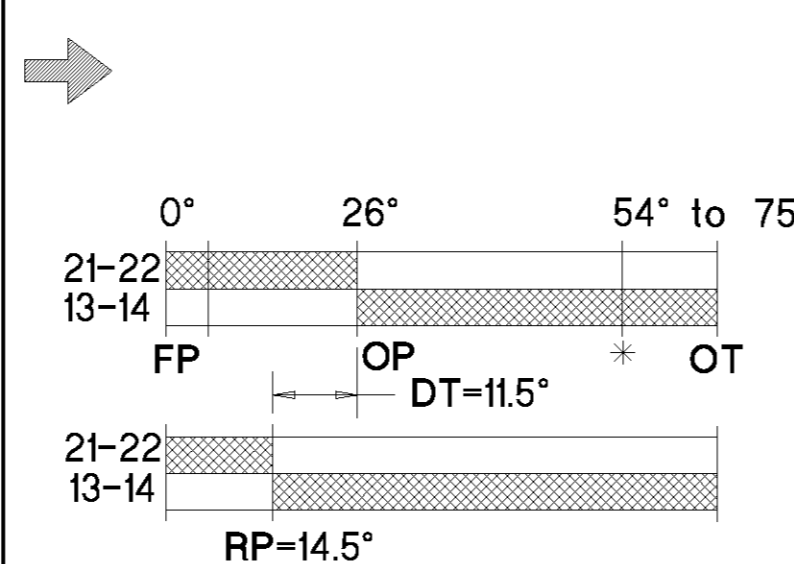


- NOTES:-
- ZINC DIECAST BODY AND HEAD WITH STEEL COVER. BODY AND COVER FINISHED IN MICRO SWITCH BLUE EPOXY PAINT. HEAD FINISHED IN BLACK EPOXY PAINT.
 - MINIMUM OPERATING VELOCITY (Vmin) = 0.26 rad/s
MAXIMUM OPERATING VELOCITY (Vmax) = 25 rad/s
MAXIMUM OPERATING FREQUENCY (Fmax) = 250 OPS/MIN
 - FREE POSITION (FP), OPERATING POINT (OP), OVERTRAVEL (OT) AND PRETRAVEL (PT) ALL TO EN50047.
- ⚠️ MAXIMUM TIGHTENING TORQUE FOR FIXING SCREW = 0.5Nm (4.4in.LB)
⚠️ MAXIMUM TIGHTENING TORQUE FOR FIXING SCREW = 0.8Nm (7in.LB)

NO CHANGES CAN BE MADE TO THIS DRAWING WITHOUT JOINT NEWHOUSE/FREEPORT APPROVAL



CONTACT BLOCK DIAGRAM TERMINAL DESIGNATION TO EN 50013



NOMINAL TRAVELS AND RELATED TERMINALS
CONTACT CLOSED
CONTACT OPEN
* POSITIVE OPENING TO IEC 947-5-1-3

120 (1.1)
140 (1.3)

110 (1.0)
160 (1.5)

110 (1.0)
170 (1.6)

110 (1.0)
150 (1.4)

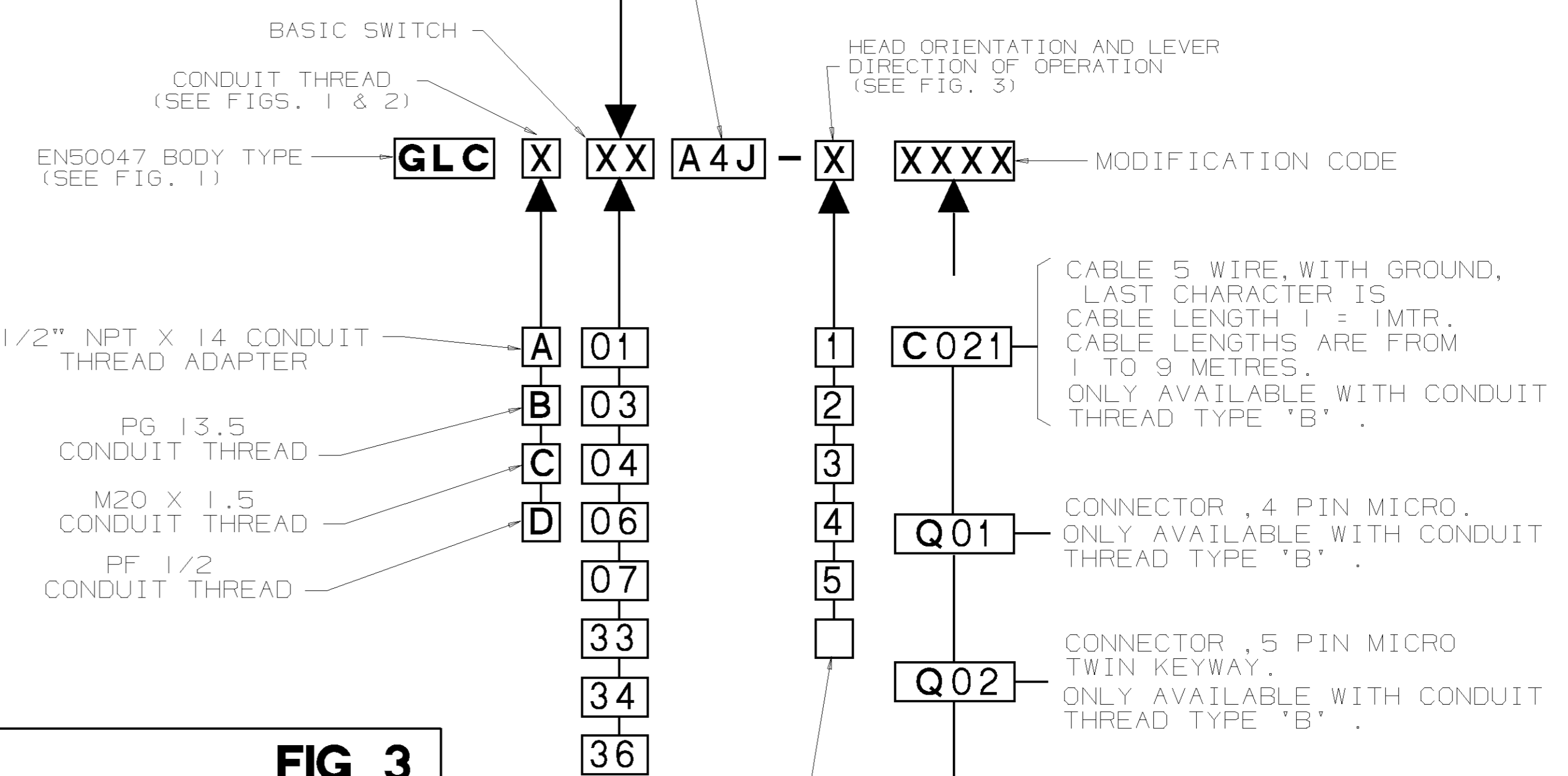
NORMAL OPERATING TORQUE MAX Nmm (in.lbs)
MAXIMUM DISCONNECT TORQUE Nmm (in.lbs)

01 OR 07

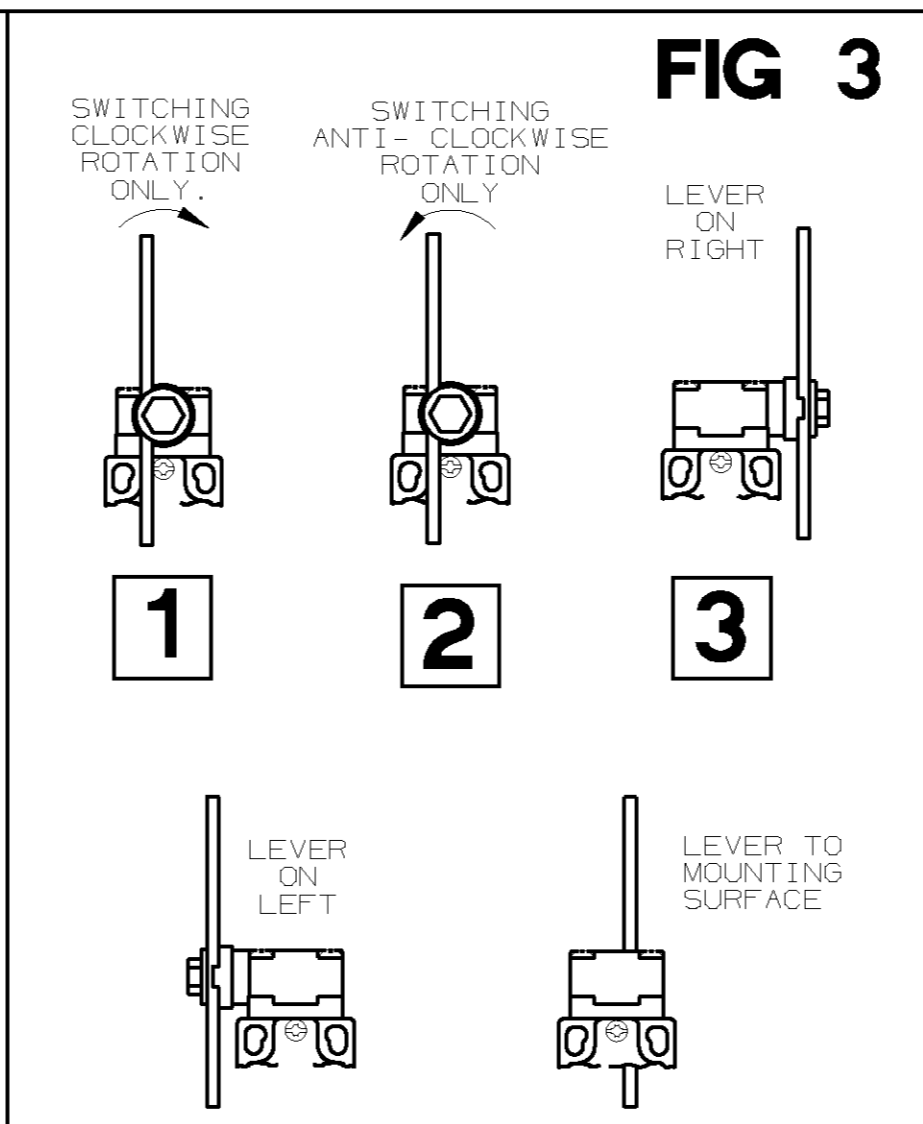
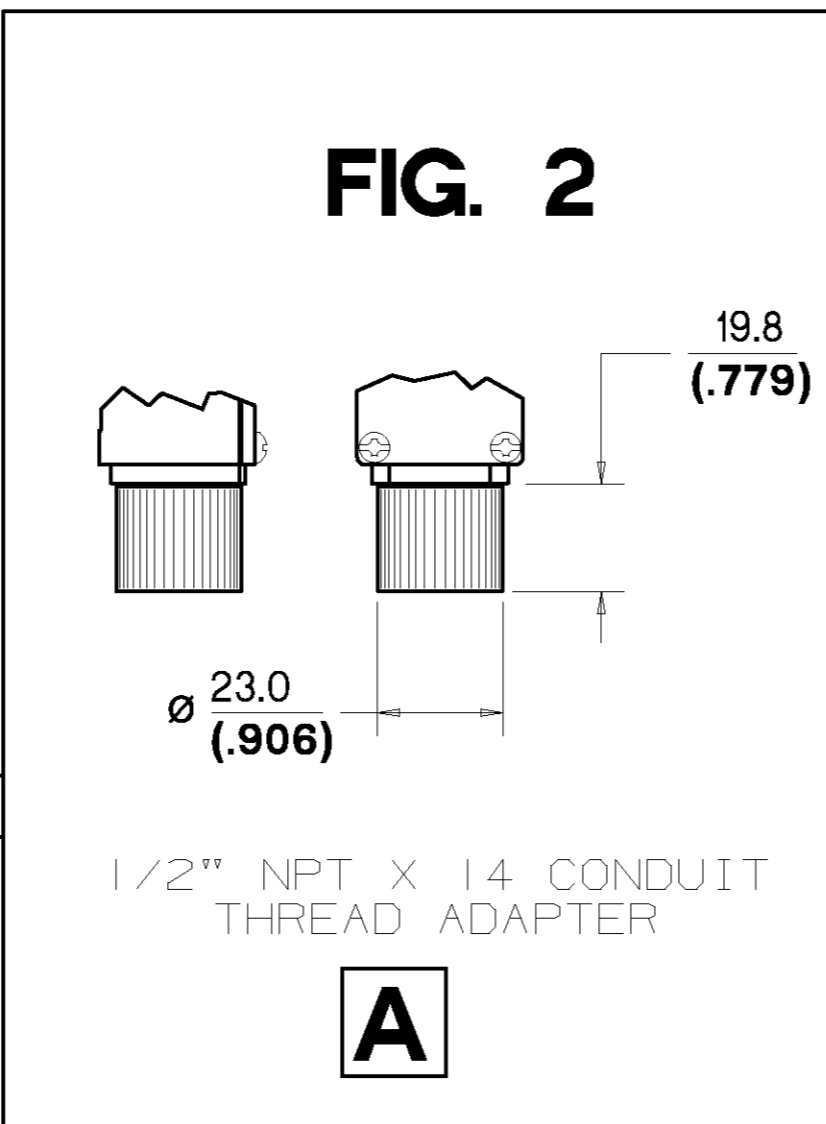
03 OR 33

04 OR 34

06 OR 36



NOTE:- ANY STANDARD LISTING WITH SUFFIX 'RS' OR 'FE' IS PERMITTED.



BLANK = LEVER TO FRONT, SWITCHING IN BOTH DIRECTIONS.

NOTE: FOR CONNECTION DIAGRAMS AND ADDITIONAL ELECTRICAL, ENVIRONMENTAL & DIMENSIONAL INFORMATION SEE DRAWING GL-49212.

4/94	STANDARD SILVER CONTACTS	GOLD PLATED CONTACTS		
4/94	ELECTRICAL RATING	ELECTRICAL RATING	ENVIRONMENTAL	APPROVALS
4/94	AC A300 AC15 Ue 1e	DC O300 DC13 Ue 1e	IP66 NEMA 1, 4, 12, 13 TEMP RANGE: -25°C TO 85°C -13°F TO 185°F STORAGE: -40°C TO 85°C -40°F TO 185°F	UL IEC 947-5-1 EN50047
	VOLTS AMPS 120 6 240 3	VOLTS AMPS 125 0.55 250 0.27	I _{th} = 10A 1V 10µA MIN. 50V 100mA MAX.	
	SHOCK: 50G PER IEC 68-2-27		VIBRATION: 10G PER IEC 68-2-6	
	SCALE: 1:1		DIMENSIONS ARE IN MM/INCHES.	
	THIRD ANGLE PROJECTION		MODIFY ON CAD SYSTEM ONLY	
THE COPYRIGHT OF THIS DRAWING IS THE PROPERTY OF HONEYWELL LTD. THE DRAWING IS SUPPLIED IN CONFIDENCE AND MUST NOT BE USED FOR ANY PURPOSE OTHER THAN THAT FOR WHICH IT IS SUPPLIED.				

4/94 M. LOCH
4/94 I. WEIR
4/94 J. BOYD
4/94 P. TRICKETT